



Pressure sensors
Pressure switches
Accessories



SKV-tec
High quality at fair prices



Display NOM14

This display is intended to easily display an analog signal. As an LED display, it can be easily read even in difficult environments. Optionally this display is available with a relay. With this it can replace the functionality of a pressure switch. As an alternative a RS-485 output is also available. Configuration is done by 4 keys, which makes it more comfortable than other displays.

The display is intended for installation in an opening. Sensors are connected by cable, therefore making it compatible with all our sensors.

Technical data

Input signal	4 – 20 mA (Two-wire) or 0/2-10V (Three-wire)
Display	4 digit LED
Voltage supply	Standard and RS-485 version: 6~25VDC Relay version: 8~25VDC
Current demand	40mA (Standard and RS-485), 50mA (Relay-version) at 24V
Impedancy	0/2~10V: >30kΩ; 4~20mA: <250Ω
Permissible current at the relay	3A 30VDC, 3A 250VAC
Size	79x43x25 mm
Necessary size of the installation opening	76,5x39,5 mm

NOM14	-	X
Model		
1 = Standard, 2 = Version with relay, 3 = Version with RS-485		



Stand: 01/2024; Änderung vorbehalten, Right of modification reserved, Sous réserve des modifications

SKV-tec GmbH
Forchheimer Str. 4
91338 Igensdorf - Germany
Tel.: +49 – (0) 9192- 995314 / Fax: 995268

Geschäftsführer:
Dipl.-Ing. (FH) Thomas Jakob und Dipl.-Ing.(FH) Robert Krämer
Handelsregister:
Bamberg, HRB 6436

www.druckschalter.shop
info@skv-tec.de
Onlineshop:
www.druckschalter.shop



Pressure sensors
Pressure switches
Accessories

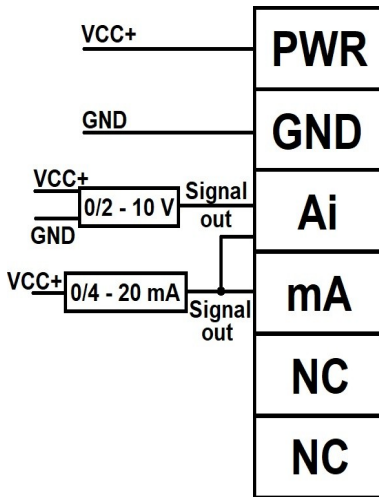


SKV-tec
High quality at fair prices

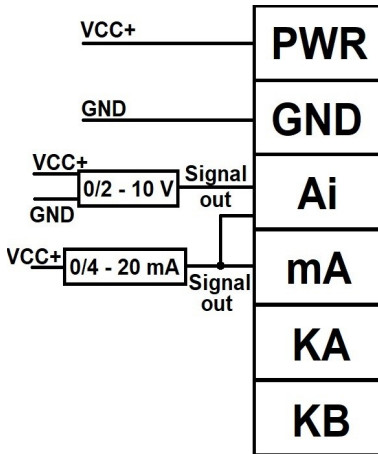


Electrical plan

Please note for all version: for 0/4~20 mA input the signal has to be connected to both connectors.



Variant NOM14-1



Variant NOM14-2

Stand: 01/2024; Änderung vorbehalten, Right of modification reserved, Sous réserve des modifications

SKV-tec GmbH
Forchheimer Str. 4
91338 Igensdorf - Germany
Tel.: +49 – (0) 9192- 995314 / Fax: 995268

Geschäftsführer:
Dipl.-Ing. (FH) Thomas Jakob und Dipl.-Ing.(FH) Robert Krämer
Handelsregister:
Bamberg, HRB 6436

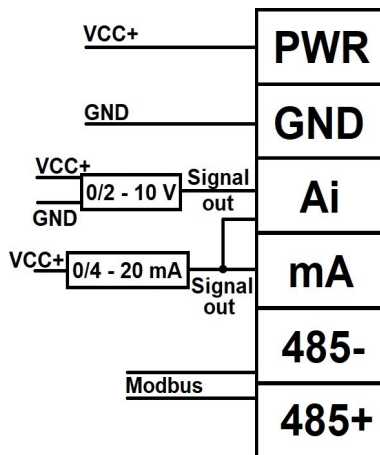
www.druckschalter.shop
info@skv-tec.de
Onlineshop:
www.druckschalter.shop



Pressure sensors
Pressure switches
Accessories



SKV-tec
High quality at fair prices



Variant NOM14-3

Configuration manual:

How to enter the configuration menu: Hold down the SET key for more than 3 secs. (compare to F1-5)

Main menu to select the desired group of options: F0, F1, F2 and F7 available

Parameter group F0:

Parameter	Name	Description	Default
F0-0	Collected value monitoring	Monitor the percentage of the current analog input value. Range: 0 – 100%	
F0-1	Display value monitoring	In the display value in “Monitoring Menu” is calculated by F0-0, F0-2, F0-3, F0-4	
F0-2	Display accuracy	The number of decimal places displayed in the “Monitor Menu”, range: 0~3	1
F0-3	Show minimum	In the “monitoring menu” the value corresponding to “acquisition value” is	0

Stand: 01/2024; Änderung vorbehalten, Right of modification reserved, Sous réserve des modifications

SKV-tec GmbH
Forchheimer Str. 4
91338 Igensdorf - Germany
Tel.: +49 – (0) 9192- 995314 / Fax: 995268

Geschäftsführer:
Dipl.-Ing. (FH) Thomas Jakob und Dipl.-Ing.(FH) Robert Krämer
Handelsregister:
Bamberg, HRB 6436

www.druckschalter.shop
info@skv-tec.de
Onlineshop:
www.druckschalter.shop



Pressure sensors
Pressure switches
Accessories



SKV-tec

High quality at fair prices



F0-4

Show maximum

0%, the range: -
1999~9999

n the "monitoring
menu" the value
corresponding to
"acquisition value" is
100%, the range: -
1999~9999

1000

Parameter group F1

Parameter	Name	Description	Default
F1-0	Input type selection	0: 0~10V or 0~20 mA corresponds to 0~100.0% 1: 2~10V or 4~20 mA corresponds to 0~100.0%, and it is 0 when it is lower than 2V or 4mA	0
F1-1	Input filter time	Analog input filter time, range: 0- 10.000s. The greater the filtering time, the stronger the filtering.	0,2
F1-2	Input gain	0 ~ 1000%	100
F1-3	Input offset	-99,9% ~ 99,9% with 10V or 20mA as 100%	0
F1-4	Unused		
F1-5	Enter the parameter setting selection	0: Long press SET button for 3s to enter the parameter setting mode 1: Keep pressing SET button for more than 3s and Press OK to enter parameter setting mode	0

Parameter group F2 (only active for relay version NOM14-2)

Parameter	Name	Description	Default
-----------	------	-------------	---------

Stand: 01/2024; Änderung vorbehalten, Right of modification reserved, Sous réserve des modifications

SKV-tec GmbH
Forchheimer Str. 4
91338 Igensdorf - Germany
Tel.: +49 – (0) 9192- 995314 / Fax: 995268

Geschäftsführer:
Dipl.-Ing. (FH) Thomas Jakob und Dipl.-Ing.(FH) Robert Krämer
Handelsregister:
Bamberg, HRB 6436

www.druckschalter.shop
info@skv-tec.de
Onlineshop:
www.druckschalter.shop



Pressure sensors
Pressure switches
Accessories



SKV-tec

High quality at fair prices



F2-0	Relay output status configuration	When the output conditions are met the relay output status: 0: No control (always open) 1: Relay closed 2: Relay open (not satisfied closed on condition)	0
F2-1	Condition type	0: greater than comparison value 1 1: less than comparison value 2 2: greater than comparison value 1 and less than comparison value 2	0
F2-2	Comparison value 1	0-100%	50%
F2-3	Comparison value 2	0-100%	50%
F2-4	Hysteresis interval	In order to prevent the relay output from operating frequency near the comparison value, hysteresis interval parameters are introduced Range: 0~80%	

Parameter group F7 (Only active for RS-485 version NOM14-3)

Parameter	Name	Beschreibung	Default
F7-0	Local address	Range: 1~247	1
F7-1	Baud Rate	0:1200 bps; 1: 2400 bps; 2: 4800; 3: 9600; 4: 19200; 5: 38400	3
F7-2	Data format	0: 8,1,0 (8 Data Bits, 10 Stop Bit, 0 Parity) 1: 8,1,Even 2: 8,1,Odd 3:8,2,0	
F7-3	Response delay	0~500ms	5
F7-4	Communication type	Use above V1.02 0: The display table is a	0

Stand: 01/2024; Änderung vorbehalten, Right of modification reserved, Sous réserve des modifications

SKV-tec GmbH
Forchheimer Str. 4
91338 Igendorf - Germany
Tel.: +49 – (0) 9192- 995314 / Fax: 995268

Geschäftsführer:
Dipl.-Ing. (FH) Thomas Jakob und Dipl.-Ing.(FH) Robert Krämer
Handelsregister:
Bamberg, HRB 6436

www.druckschalter.shop
info@skv-tec.de
Onlineshop:
www.druckschalter.shop



Pressure sensors
Pressure switches
Accessories



SKV-tec
High quality at fair prices



modu slave, and the user host can read the collected values on the display table

1: the display table is a network slave between the tables and can receive the display data of the display table set as the master

2: the display table is the network host between the tables and the display value is sent to the slave display table through the broadcast address

3: the display table is the inter-table networking host and the display value is sent to the slave by means of address polling

Display table address polling range is: 1~F7-0

F7-5	Parameter recovery	Set to 111 to restore the parameters to the factory settings; other values are invalid	1313
F7-6	Model code	Module model code 0521H	
F7-7	Send interval time	The interval time for the host to send the data table during master-slave communication	0.1
F7-8	Software version number	Range: 0.1~100s Set module software version number, two decimal places. 1.00 corresponds to the software version	

Stand: 01/2024; Änderung vorbehalten, Right of modification reserved, Sous réserve des modifications

SKV-tec GmbH
Forchheimer Str. 4
91338 Igendorf - Germany
Tel.: +49 – (0) 9192- 995314 / Fax: 995268

Geschäftsführer:
Dipl.-Ing. (FH) Thomas Jakob und Dipl.-Ing.(FH) Robert Krämer
Handelsregister:
Bamberg, HRB 6436

www.druckschalter.shop
info@skv-tec.de
Onlineshop:
www.druckschalter.shop



Pressure sensors
Pressure switches
Accessories



SKV-tec
High quality at fair prices



number is v1.00

Stand: 01/2024; Änderung vorbehalten, Right of modification reserved, Sous réserve des modifications

SKV-tec GmbH
Forchheimer Str. 4
91338 Igendorf - Germany
Tel.: +49 – (0) 9192- 995314 / Fax: 995268

Geschäftsführer:
Dipl.-Ing. (FH) Thomas Jakob und Dipl.-Ing.(FH) Robert Krämer
Handelsregister:
Bamberg, HRB 6436

www.druckschalter.shop
info@skv-tec.de
Onlineshop:
www.druckschalter.shop