



Pressure switches
High quality at
fair prices



SKV-tec



PSW-A6

This pressure switch is intended for sensing the difference between two pressure levels, but can also be used to sense positive and negative pressures. Due to its small size, intended for circuit boards, as well as a turnable upper pressure port a lot of applications become possible.
The switch is available as SPST NO and NC. For NO switches the higher pressure is applied to the lower port, for NC it is the upper port. The included spring can not cover the complete switching point range.



Technical data

Medium	Air, non-hazardous gases
Switching point	Positiv: 5 ~ 800 mbar, Vacuum: 10 ~ 800 mbar
Maximum operating pressure	Positive: 1000 mbar; Vacuum: 1000 mbar
Operating temperature	-10 °C - +90 °C
Contact arrangement	SPST N.O or N.C (Single pole, single throw, normally open or normally closed)
Electrical contacts	1.0 mm pins with a distance of 12.5 mm between them
Connection	4 mm outer diameter
Maximum current	250mA at 250V
Tolerance	Normally open NO: ± 3 mbar or $\pm 5\%$ (larger value of the two) Normally closed NC: ± 6 mbar or $\pm 10\%$ (larger value of the two)
Size	37x27x20mm
Materials	PA66 (upper cover, adjusting screw) PBT (connection base) Silver plated brass (electrical contacts) Silastic (diaphragm)

PSW-A6	-	X	-	X	-	X	-	X
Model								
Contact arrangement (O = SPST N.C, S = SPST N.O.)								
Rotation of upper port (N=none, Rxxx=Rotated by xxx degrees)								
Contact material (S=Silver, G=Gold)								
Switching point (Vxx=Vacuum in mbar, Pxx=Positive pressure in mbar)								



Stand: 02/2022; Änderung vorbehalten, Right of modification reserved, Sous réserve des modifications

SKV-tec GmbH
Forchheimer Str. 4
91338 Igensdorf - Germany
Tel.: +49 – (0) 9192- 995314 / Fax: 995268

Geschäftsführer:
Dipl.-Ing. (FH) Thomas Jakob und Dipl.-Ing.(FH) Robert Krämer
Handelsregister:
Bamberg, HRB 6436

www.druckschalter.shop
info@skv-tec.de
Onlineshop:
www.druckschalter.shop



Pressure switches
High quality at
fair prices



SKV-tec



Switching point ranges of the switches available on stock:

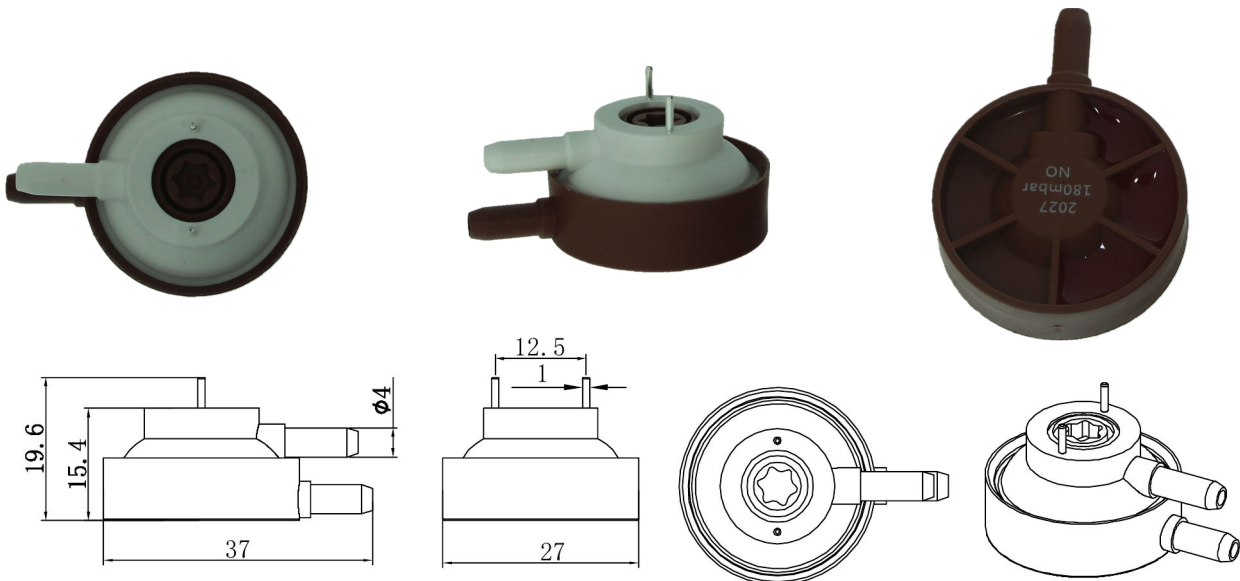
The pressure switches of the A6 series can only be adjusted in a small range due to their small size. To be able to cover the whole switching point range, a large number of springs is necessary. In order to make it easier for our customers to find a suitable pressure switch, which can be used in their application, below you find the tables with the measured ranges of our standard pressure switches. Please be aware that those ranges were only measured with a single pressure switch for every setpoint, the statistical value of those measurements is therefore very low, furthermore the uncertainty of measurement is unknown. For the measurement the pressure switch was oriented with the pins facing upwards. Larger amounts can be ordered with the required pressure setting.

Normally open (NO) (PSW-A6-S-N-S):

Nominal value	Minimum	Maximum
6 mbar	5 mbar	8 mbar
20 mbar	17 mbar	36 mbar
80 mbar	47 mbar	111 mbar
500 mbar	260 mbar	800 mbar

Normally closed (NC) (PSW-A6-O-N-S):

Nominal value	Minimum	Maximum
6 mbar	5 mbar	13 mbar
20 mbar	16 mbar	20 mbar
80 mbar	68 mbar	105 mbar
500 mbar	204 mbar	590 mbar



Stand: 02/2022; Änderung vorbehalten, Right of modification reserved, Sous réserve des modifications

SKV-tec GmbH
Forchheimer Str. 4
91338 Igensdorf - Germany
Tel.: +49 – (0) 9192- 995314 / Fax: 995268

Geschäftsführer:
Dipl.-Ing. (FH) Thomas Jakob und Dipl.-Ing.(FH) Robert Krämer
Handelsregister:
Bamberg, HRB 6436

www.druckschalter.shop
info@skv-tec.de
Onlineshop:
www.druckschalter.shop